

SHOTOKU SH 10

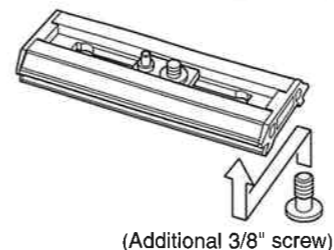
Operating Instructions

Thank you very much for choosing SHOTOKU SH 10 Tripod. SHOTOKU CORP. has designed your tripod to be sturdy, rugged, dependable product that will provide you with many years of satisfactory use. Please take a few moments to read this operating instruction carefully before use so that you can take full advantage of your Tripod's many fine features. Retain this operating instruction in case you might want to refer back to it.

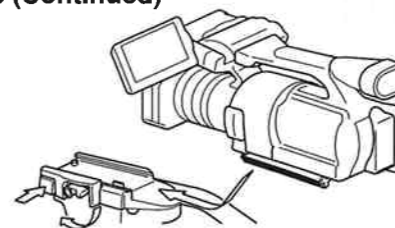
Specification

Load Capacity	3.0 kgs (6lbs 10oz)
Maximum Height	1,515mm (59 2/3")
Folded Length	765 mm (30 1/8")
Minimum Height	675 mm (26 3/8")
Ball Base	60 mm (2 3/8")
Weight	3.16 kg (7lbs)
Tilt Range	+52°/-90°

Mounting the camera to the camera plate (Continued)



The camera screw, which can be used for a tripod adapter, etc., is attached. If needed, please attach it from the back of the long hole of a camera shoe.

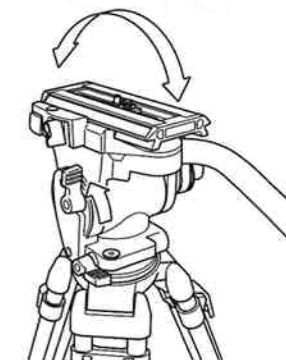


Please insert a camera shoe in a camera plate from the direction of an arrow to back pushing a shoe stopper. If a shoe stopper is released, a camera shoe stops releasing. Please fix a shoe lock lever in total in the good position of balance.

Remarks:

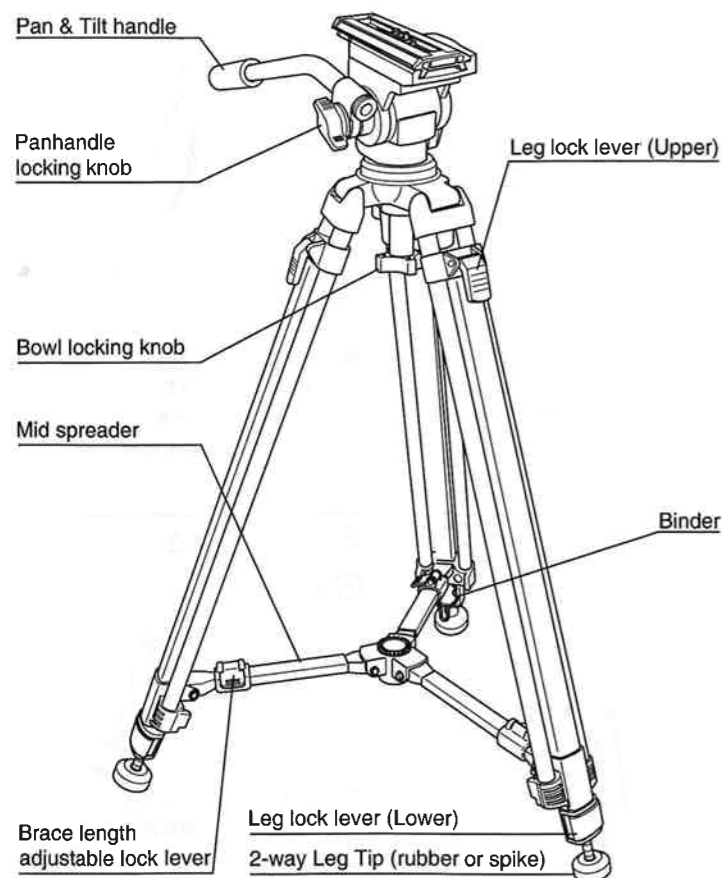
The fluoride coat (lubricous paint) which improves the slide of a camera shoe (sliding plate) is give to the head upper surface. Since it burns thinly and is hardened, a coat sidf is not unusual even if the crest of a ground looms.

Using the pan head

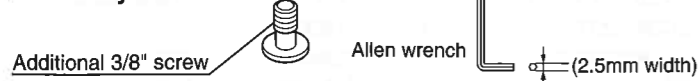


Loosen the tilting lock lever, and the head will tilt back and forth.

Components



Accessory

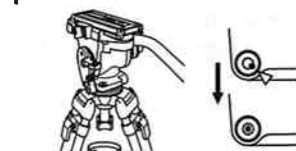


Install the pan & tilt handle



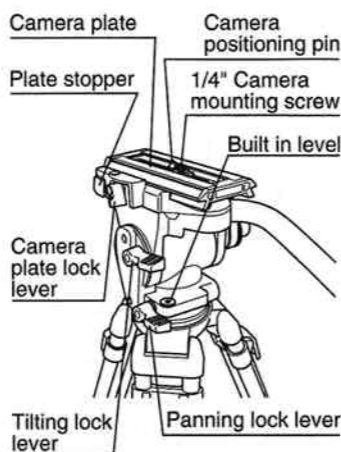
Thrust a pan & tilt handle lightly into the head side by the panhandle locking knob, and adjust to a favorite angle. Please thrust firmly and fix.

How to adjust the level of pan head



Adjust the level before putting the camera on the pan head.
1) Loosen the bowl locking knob and adjust the bubble in the level to fit into the red color mark, while shaking the pan head.
2) Tighten the bowl locking knob.
Remarks:
This is just rough aim and recommendable to test in advance before operating.

Pan head



Carrying the tripod

Prohibition



Carrying a tripod with a camera left on can result in unexpected accidents. We therefore, recommend you to remove your camera while carrying the tripod.

Equipment that can be used with this Tripod

Prohibition

This product has been designed to handle equipment weighing under 3 kgs (6 lbs 10oz). Do not overload.
Some equipment weighing under 3 kgs (6 lbs 10oz), such as long lenses, may not balance well due to its weight distribution. In such case, please use a larger tripod.

Attachment of a camera

Caution

Please check that the lock levers of a head part and the leg are locked exactly. If the lock is inadequate, there is a possibility that the camera is omitted and may be damaged.

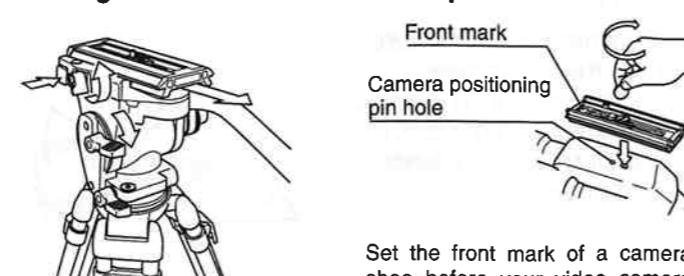
Caution

Please be sure to support the main part of the camera by hand until can check that the camera has certainly been locked.

Caution

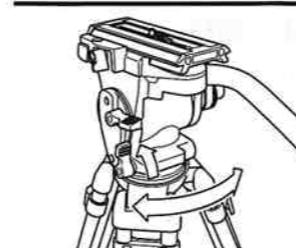
For fall breakage prevention of a camera, please extend a leg completely and use it in the stable place.

Mounting the camera to the camera plate



Tighten a tilt lock lever. Loosen a shoe lock lever turning in the direction of an arrow. Please remove a camera shoe out behind the head, while pushing a shoe stopper.

Set the front mark of a camera shoe before your video camera side and then, set a camera screw of a video camera by using coin, etc. It thrusts firmly. When a video boss (pin) attachment hole is in the equipment, please screw in a camera screw after uniting a video boss (pin). (CON.→)



Loosen the panning lock knob, and the head will rotate along the horizontal direction.

Note:

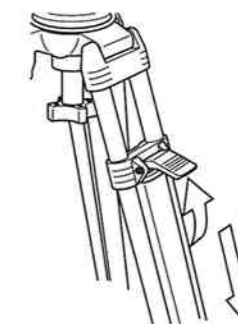
Since the panhead has the structure of a smooth feeling on operation, it looks sometimes standing. Please be sure to lock a tilting lock lever when you leave from your tripod.



When not using an attached camera mounting screw (3/8"), it can push into the position of the hole of a figure and can container temporarily. For a long time, if it has attached, since it drops out in vibration etc. and there is the possibility of loss, if the film shooting finishes, please remove and keep it separately.

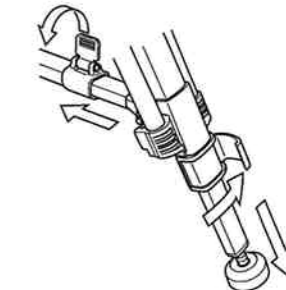
Extending the tripod legs

(For upper section legs)



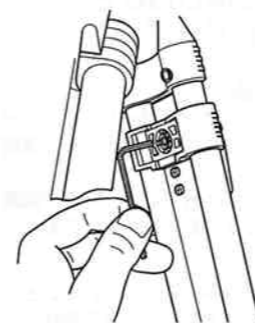
Flip up the Leg lock lever (Upper) to extend or shorten.

(For lower section legs)



Loosen the Leg lock lever (Lower) to extend or shorten. Loosen the brace length adjustable lock lever to extend or shorten.

How to open and close the tripod legs



The strength of a lever can be adjusted using an attached Allen wrench (2.5mm width) in the reverse-side of Leg lock lever (Upper).



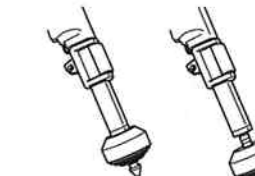
Holding two legs, one in each hand, tilt the tripod on its third leg. Pull the tow legs you are holding outward, and all hree legs will open at once.

Caution



To close the legs, be sure to first raise the leg brace up slightly, and then push the legs close. In this case, please take care of your fingers.

Choice of rubber or spike leg tips



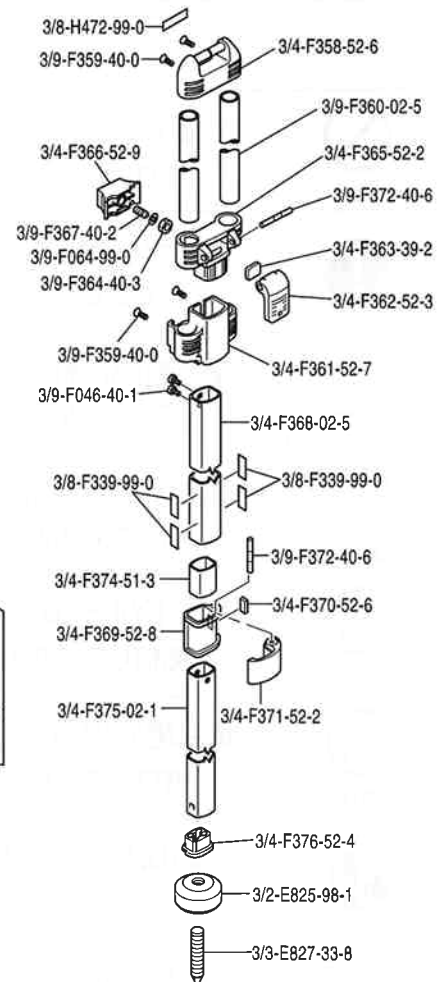
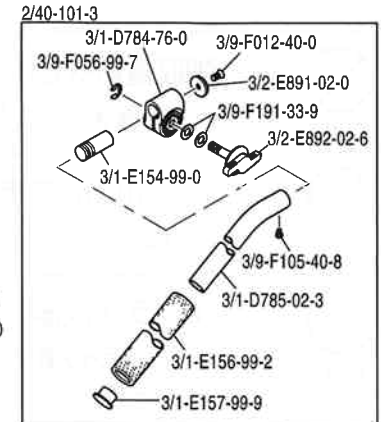
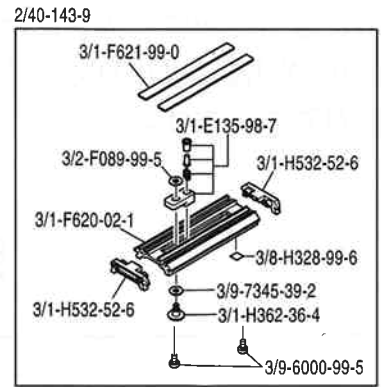
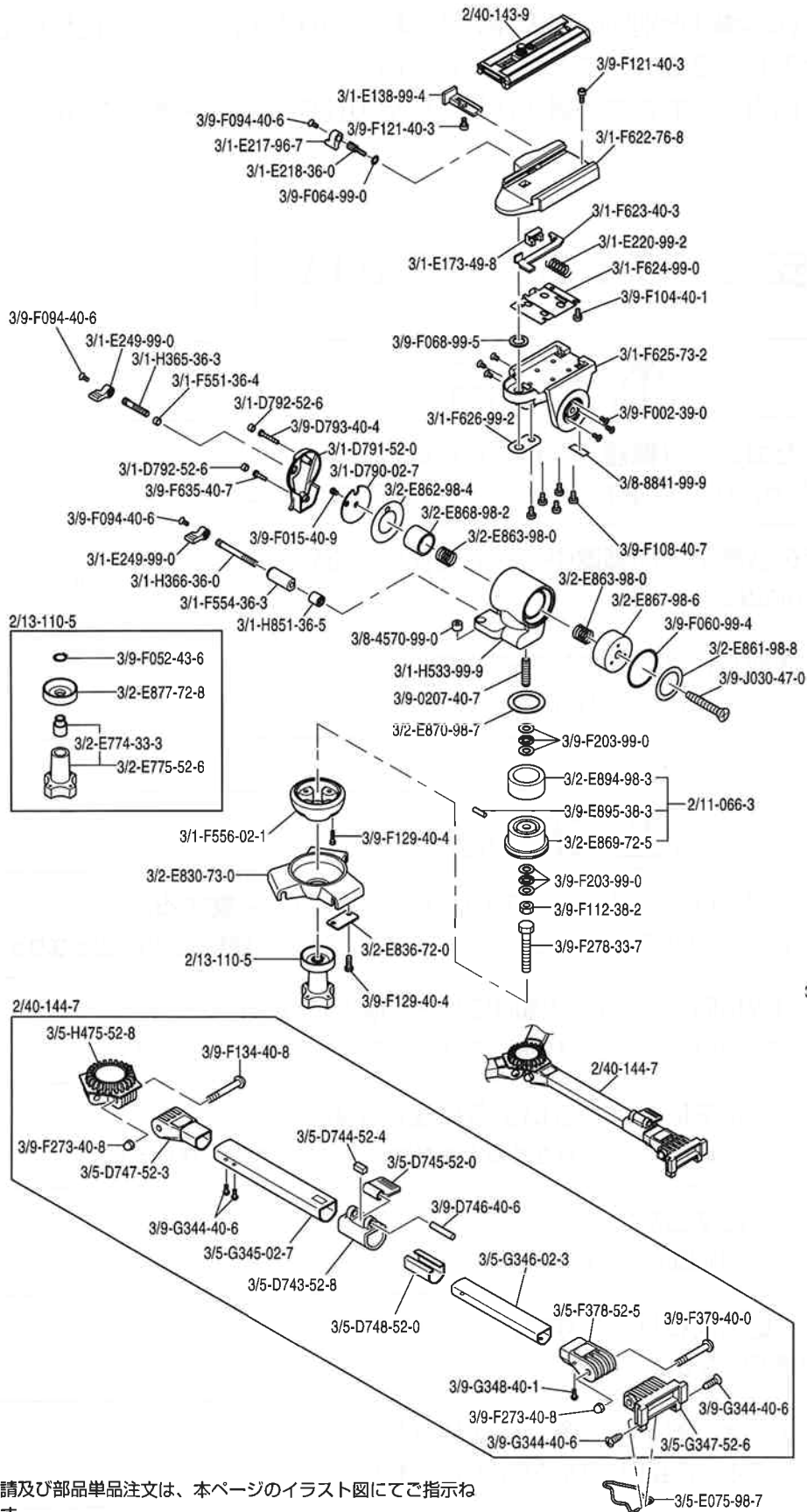
Spike tips are useful outdoors especially on loose grounds or on rocky terrain. Rubber leg tips are recommended for indoor works. To use the spikes, turn the rubber tips clockwise several times until they stop. To get the rubber tips back into position, just turn them counterclockwise.

Care of the tripod

- DO NOT apply any grease or oil to this product.
- Clean with a mild detergent and a soft cloth only.
- DO NOT use close to flame. Avoid extreme heat.



PARTS LIST (SHOTOKU SH10)



- ・修理要請及び部品単品注文は、本ページのイラスト図にてご指示がかかります。
- ・保証期間内の修理の場合は保証書をそえてご依頼ください。
- ・取説本文中の部品名（一般呼称）だけでは部品を特定出来ません。適宜用紙に部品番号を記入又はイラストにマーキングのうえ、ファクス等にてご注文ください。イラストでは個々部品でも、組立ブロックでの供給になるものがあります。
- ・なお、ご持参・配送・送金にかかる諸費用はお客様ご負担にてお願いいたします。

株式会社 昭特製作所

本社/〒213-0002 神奈川県川崎市高津区二子6-10-10